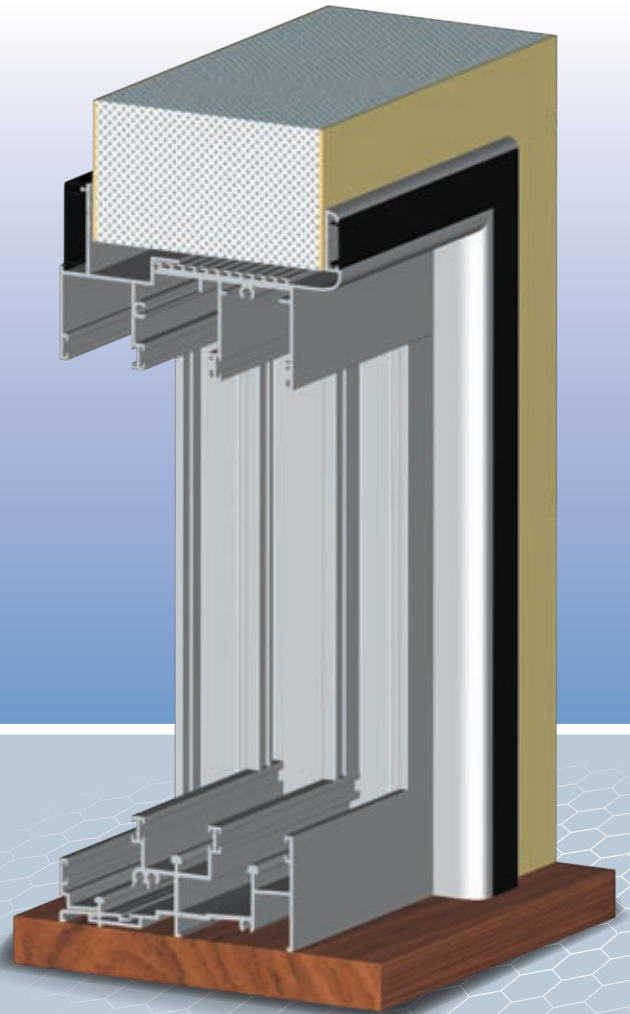
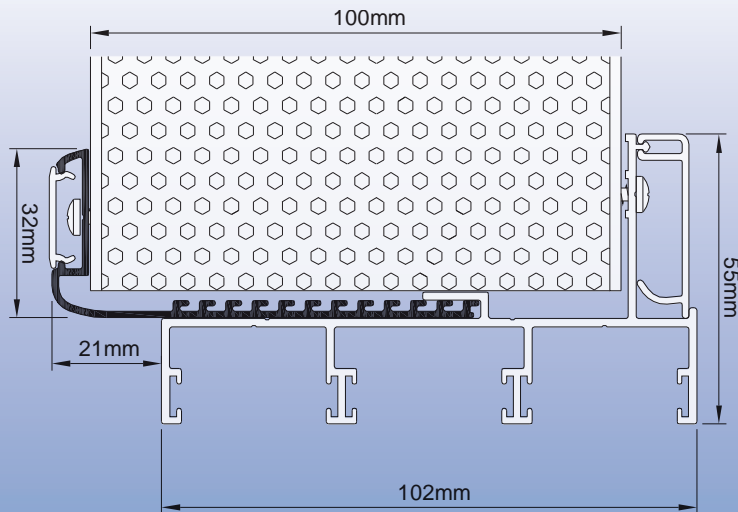


FACE FIX SLIDING DOORS



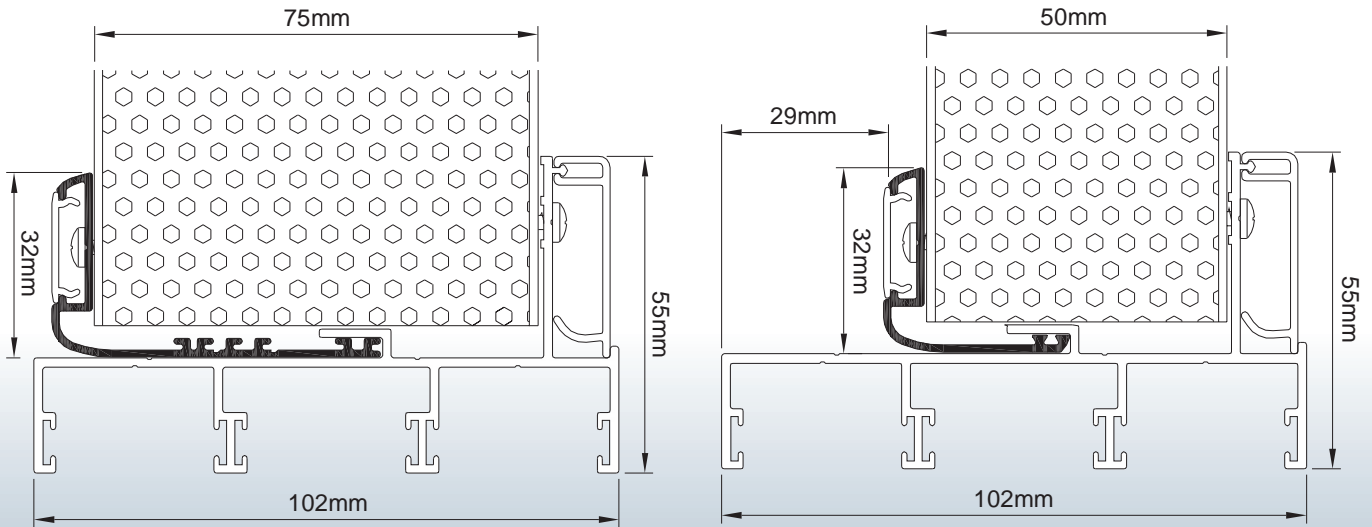
DOOR FEATURES

- Pre-painted (or powder coated) internal aluminium trims provide turn-key ready architraves. A range of adjustable trims cater for wall thicknesses from 43mm up to 134mm.
- Internal and external PVC trims conceal all fixings. Trims match in profile with G. James Face Fix window products.
- A selection of interlocking mullion combinations satisfy a range of structural performance requirements (up to a maximum 3.0 kPa.).
- 300 Pascal water rated sill.
- Aluminium threshold fitted to the inactive track of the sill assists with aesthetics and maintenance.
- Diecast handle featuring stainless steel components and easy to use snib and grip. External keylock can be fitted if required (optional extra).
- Height adjustable roller with stainless steel bearings and acetyl wheel to promote a smooth sliding action and long term performance.
- Dedicated double glazed system for accommodating IGUs.
- Exterior fly, barrier and Crimsafe screens are accommodated within the existing perimeter frame.
- Energy ratings and other performance criteria available upon request.
- Acoustic upgrades possible (up to a maximum of STC 31).
- An extensive range of anodised and powder coated finishes (refer the G. James *Residential Colour Selector*).

Note: the above features apply to the 245 Series Face Fix Sliding Door. For features relating to other door products shown in this brochure please contact your G. James representative.

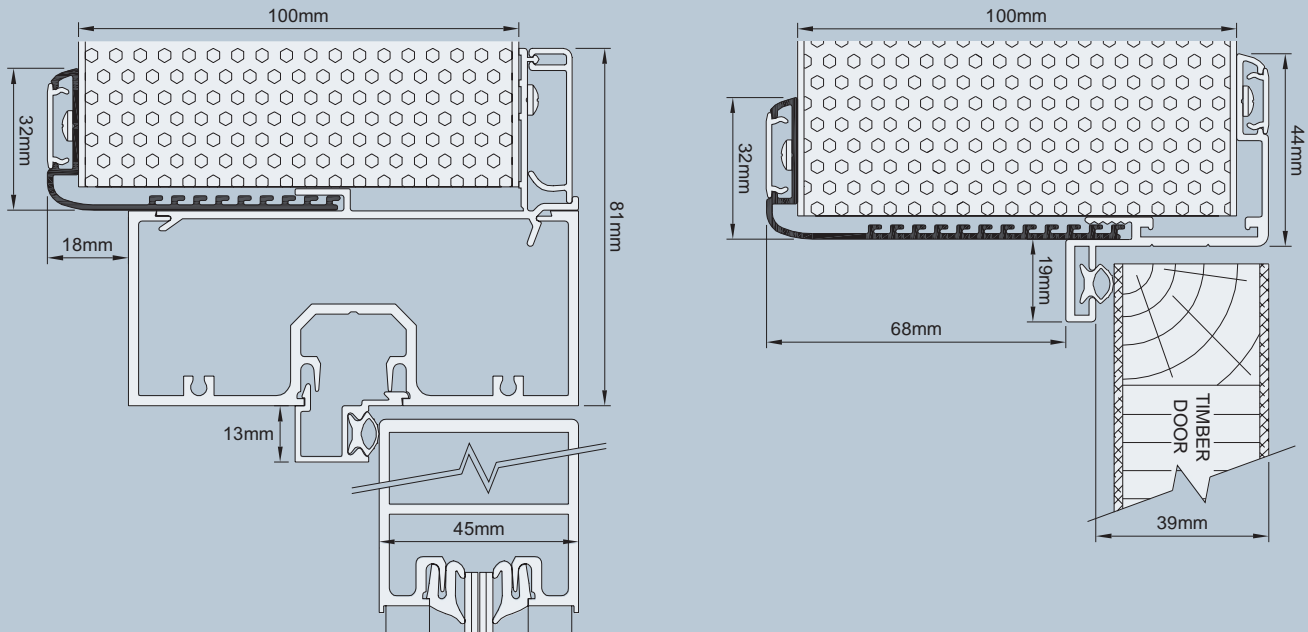
FACE FIX SLIDING DOORS

ALTERNATIVE TRIM OPTIONS



Note: Trims to accommodate other panel thicknesses are available upon request.

FACE FIX HINGED DOOR PRODUCTS



G. James
glass & aluminium

Ph 132 877



www.gjames.com.au

Queensland

Logan City
Eagle Farm
Capalaba
Caboolture

Ipswich
Gold Coast
Toowoomba
Sunshine Coast

Gympie
Hervey Bay
Bundaberg
Gladstone

Rockhampton
Mackay
Townsville
Cairns

New South Wales

Sydney
Lismore
Newcastle

Port Macquarie
Taree

© G. James & the G. James logo are registered trademarks of G. James Pty. Ltd. © 2007 G. James Australia Pty. Ltd. All rights reserved. Due to continual product development G. James reserves the right to change, alter or delete any aspect of this product without notice.