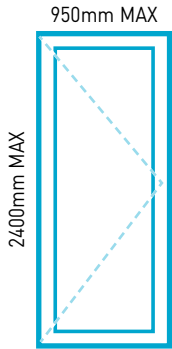
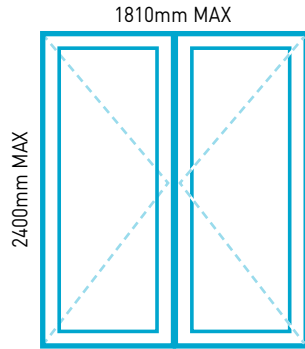


# 472 Series Hinged Door

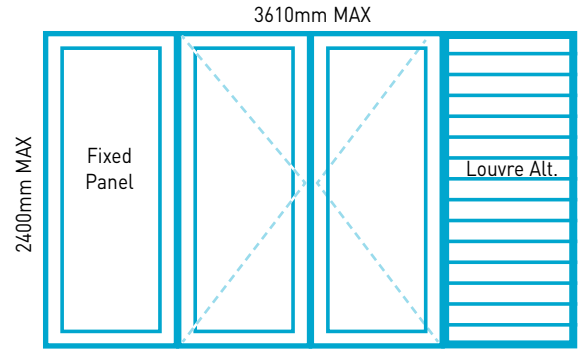
## Size Range / Configurations



**Single Door**



**Double Door**



**Double Door with Side Lights**

### Frame Options:

	<p><b>101mm FRAME OUTWARD OPENING CONFIGURATION - No Screening Capability</b></p>		<p><b>125mm FRAME INWARD OPENING CONFIGURATION - With Screening Capability</b></p>
<p><b>Sill Detail</b></p>		<p><b>Sill Detail</b></p>	