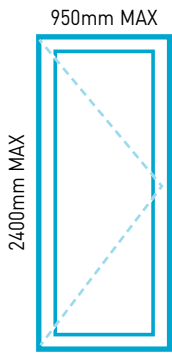


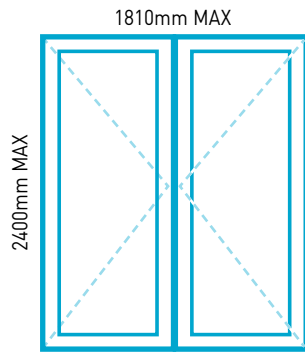


# 472 Series Hinged Door

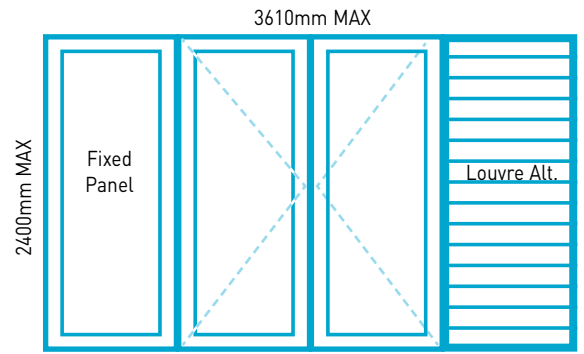
## Size Range / Configurations



Single Door

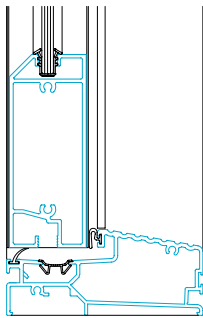


Double Door



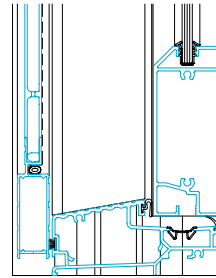
Double Door with Side Lights

### Frame Options:



Sill Detail

**101mm FRAME OUTWARD  
OPENING CONFIGURATION  
- No Screening Capability**



Sill Detail

**125mm FRAME INWARD  
OPENING CONFIGURATION  
- With Screening Capability**

### Product Specific Notes:

- Lock Options available:
  - > Single Doors: Standard & Premium
  - > Double Doors: Standard, Intermediate, Premium & High Wind.

### Product Specific Notes:

- Consult your G.James representative regarding sizes, configurations and handle & locking options.